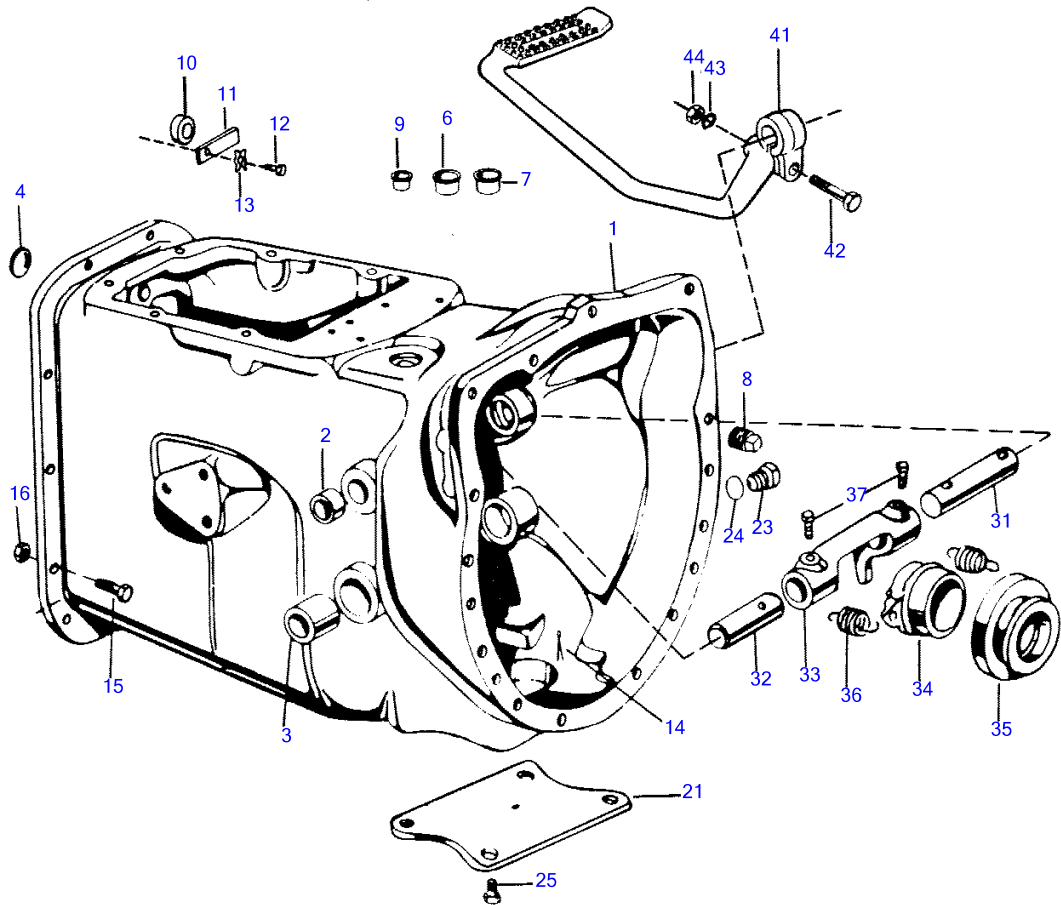


TRANSMISSION CASE, CLUTCH PEDAL

89

2773 034-1



1ST PRINT

651 472 M92 (ISSUE 1) 1/87

Massey Ferguson
240 TRACTOR (PRIOR TO 522354)

TRANSMISSION CASE, CLUTCH PEDAL

Item	Part Number	Qty	Description
1	3595582M92	1	(A) Case Assembly, Transmission (Stamped 3595581M91) (Incls. Items 2 Thru 4)
	1867502M91	1	(B) Case Assembly, Transmission (Stamped 1867 505 M1)
2	184592M1	2	Bushing (1 x 1-1/16 x 1-1/2")
3	180801M1	2	Bushing (1-3/8 x 1-1/2 x 1-7/16")
4	183071M1	1	Plug, Expansion (9/16" Cup Type)
6	894683M1	2	Plug, Expansion (1-1/16" Cup Type)
7	2950X	2	Plug (1" Expansion)
8	894684M1	1	Plug (1" P.T. Sq. Hd., Special)
9	894685M1	1	Plug, Expansion (11/16" Cup Type)
10	189449M1	1	Spacer (1 x 5/8 x 5/16")
11	184789M1	1	Stop, Reverse Shaft
12	353690X1	1	Bolt (3/8 x 7/8" NC, Hex.)
13	828020M1	1	Washer (3/8" Tab Special)
14	354076X1	1	Pin (3/16 x 1" Cotter)
15	353566X1	11	Bolt (7/16 x 1-7/8" NF, Hex.)
16	366627X1	11	Nut (7/16" NF, Hex., Lock)
21		1	(C) Cover, Transmission Case (Bottom)
23	884691M1	1	Plug, Drain
24	180474M1	1	Gasket, Plug (23/32 x 15/16 x 3/32")
25	354441X1	4	Bolt (5/8 x 1" NC, Hex.)
31	180444M2	1	Shaft, Clutch Pedal (1" x 5-15/32")
32	180449M1	1	Shaft (1" Dia. x 3-19/32")
33	886719M1	1	Fork, Clutch Release
34	886727M2	1	Carrier (Live P.T.O.)
35	892862M2	1	Bearing, Ball (Koyo #CT1310)
36	1867690M2	2	Spring, Carrier
37	881144M1	2	Bolt (3/8 x 1-3/16" NF, Sq. Hd. Special)
41	1861169M1	1	Pedal, Clutch
42	353571X1	1	Bolt (7/16 x 2-1/2" NF, Hex.)
43	353432X1	1	Washer (7/16" Lock)
44	353426X1	1	Nut (7/16" NF, Hex.)

(A) - Used Late Production Tractors.
 (B) - Used Early Production Tractors.
 (C) - For Repairs Order (1) 520478M1
 Cover, (4) 353900X1 Bolt And (1)
 354066X1 Cotter Pin.